

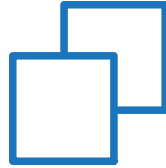


# INGROUND VINYL OVER STEPS MEASURING FORM

## TIPS FOR MAKING MEASURING YOUR POOL EASIER AND MOST ACCURATE!



Write clearly,  
using black ink



Keep a copy of the  
measurements when  
you're done



Measure in feet &  
inches, rounding up  
to the nearest  
1/4 inch

- IF YOU HAVE A PREVIOUS POOL LAYOUT OR DIG SPEC: Ignore it. Actual measurements of the pool have to be made even if original pool plans are available due to the fact that variances often occur during construction.
- Supply all measurements in feet & inches, rounding measurements up to the nearest **1/4 inch**.
- Always measure to the bead receiver. Do not measure to the coping/top of the deck.
- Write legibly, using Black Ink only (No pencil or felt-tip marker). If we cannot read it or if your (6)s look like (0)s, costly errors can be made and liners are none-refundable.
- Make copies of everything! If we have questions regarding your measurement, you will need to be able to reference the material in question.
- Don't leave information out! It can delay your quote and order as well as affect the liner ordered.
- If you get stuck along the way, reach out to us at any time! We're here to help!

Your Name

Shipping Address

City, State, & Zip Code

Phone Number

Email Address

Today's Date

**After completion, submit this  
form either by email or fax:**

**EMAIL:**

support@royalswimmingpools.com

**FAX:**

1-888-977-2846

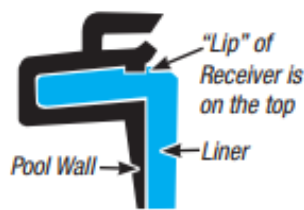
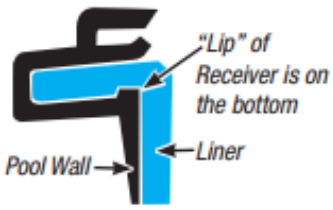
Agreement between Royal Swimming Pools and the above named customer: Vinyl Liners are NOT refundable and cannot be returned. Customer assumes responsibility for ALL liner specifications.

Customer's Signature

Date

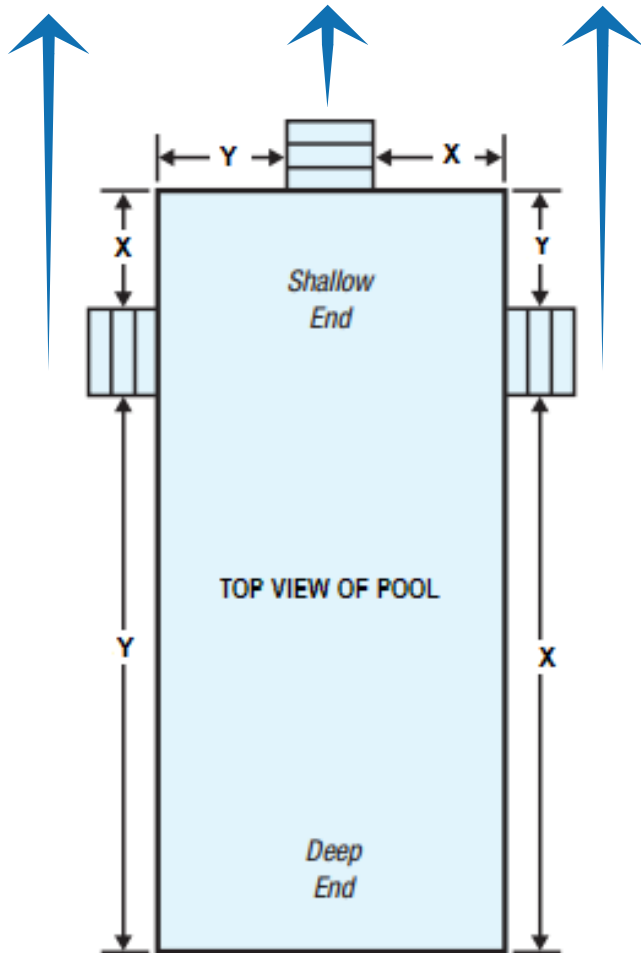
### STEP 1: STEP ATTACHMENT

- Rod Pockets
- No Attachments
- Standard Bead
- Reverse Bead



### STEP 2: IDENTIFY STEP POSITION

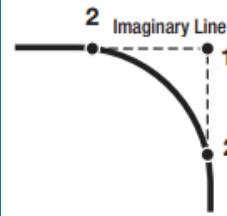
- RIGHT HAND STEP
- CENTER STEPS
- LEFT HAND STEP



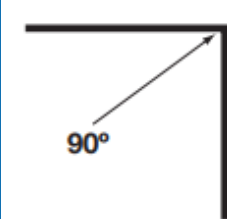
X=  FEET  INCHES

Y=  FEET  INCHES

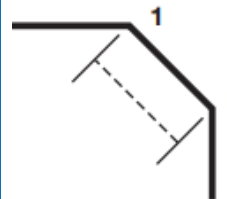
### STEP 3: SELECT BACK CORNER TYPE OF STAIRS



- Radius Corners
- Measurement from point 1 to point 2:  Inches



- Square Corners
- No measurements requires for square corners.



- Cut Corners
- Measurement from point 1 to point 2:  Inches

### STEP 4: FLUSH OR RECESSED?

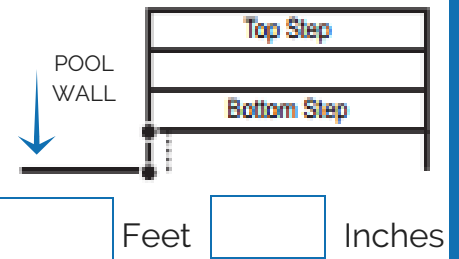
- FLUSH STEP

No measurements required.



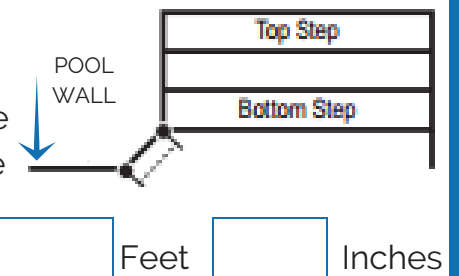
- STRAIGHT RECESSED STEP

Measure the distance from the wall corner to the bottom step, as shown.

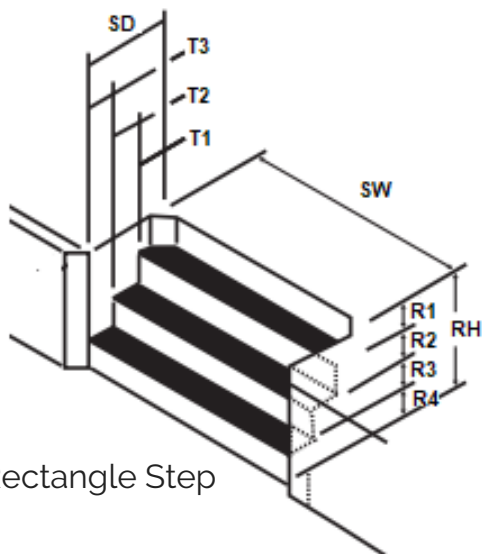


- DIAGONALLY RECESSED STEP

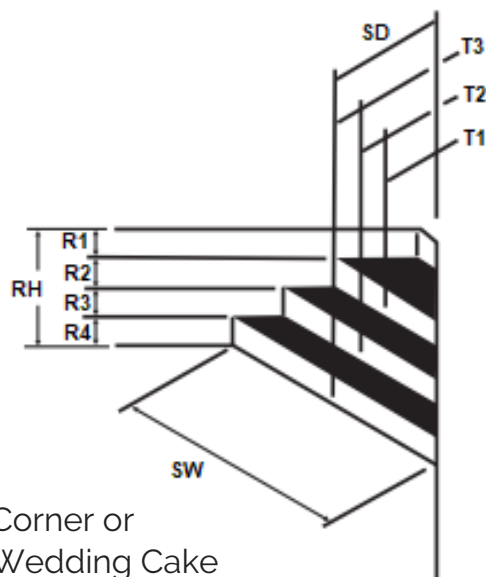
Measure the distance of the diagonal from the wall corner to the bottom step, as shown.



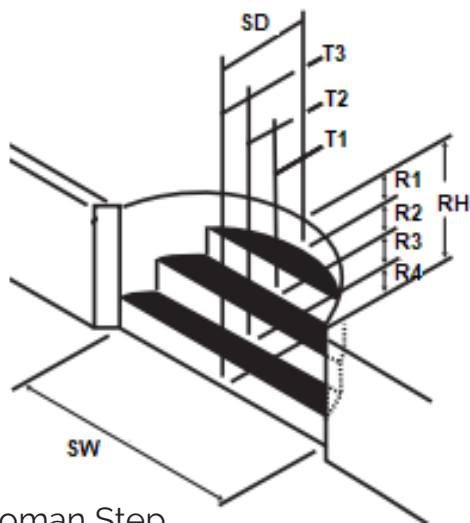
# STEP 5: STEP SHAPE AND MEASUREMENTS



Rectangle Step



Corner or Wedding Cake Steps



Roman Step

R1=  Feet  Inches

R2=  Feet  Inches

R3=  Feet  Inches

R4=  Feet  Inches

T1=  Feet  Inches

T2=  Feet  Inches

T3=  Feet  Inches

SW=  Feet  Inches

SD=  Feet  Inches

SB=  Feet  Inches

RH=  Feet  Inches

(SW) is the total width of the step

(SD) is the total step depth.

(RH) is the total riser height; which should also be equal to the shallow end wall height.

(SB) is the "set back" or the distance from the wall corner to where the steps begin.

You will only have this measurement if you checked STRAIGHT RECESSED STEP in step 4.

Checks:

"RH" must equal the shallow end wall height

$R1+R2+R3+R4$  must equal "RH"

$T1+T2+T3$  must equal "SD"

If you have a measurement for "SB" add that here for "SD"